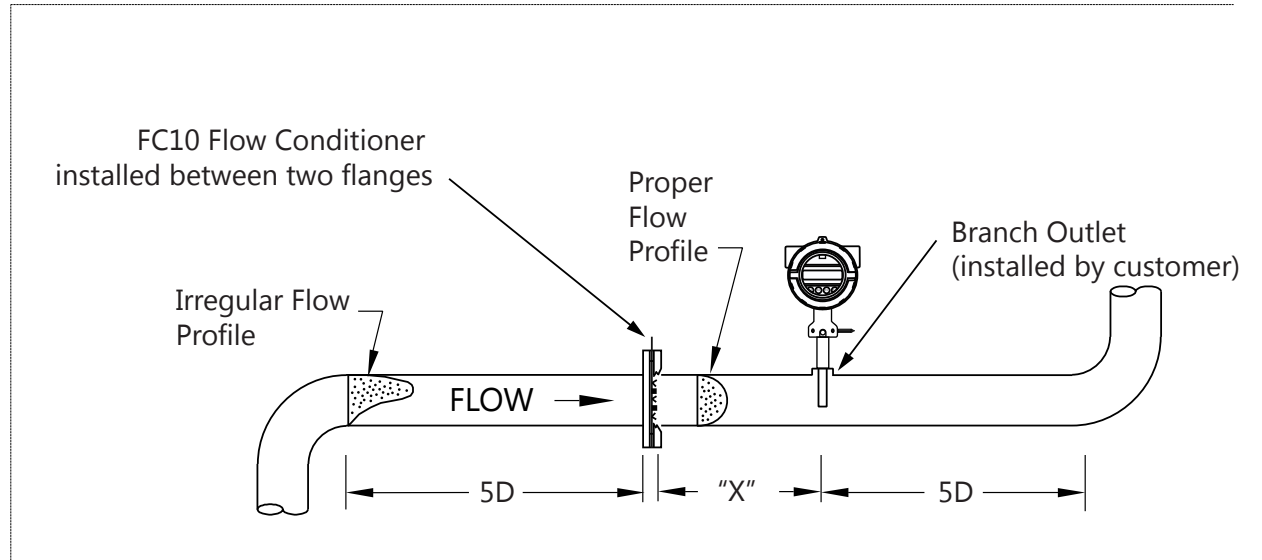
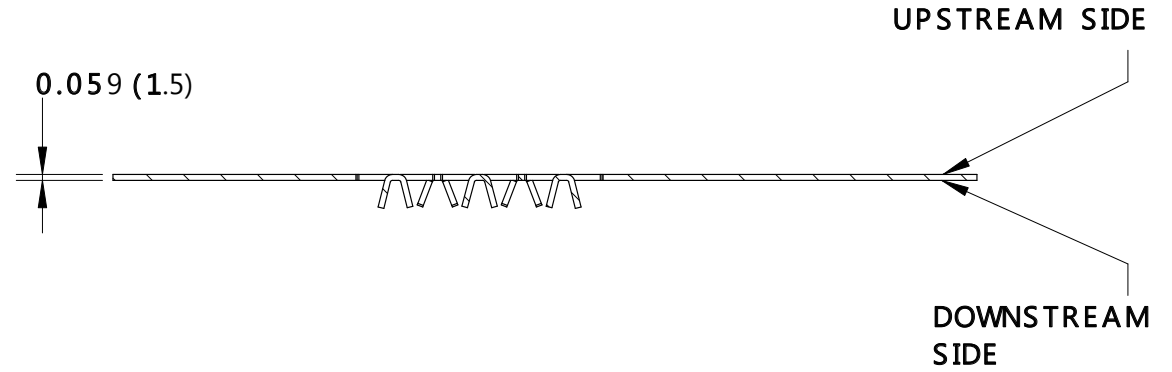
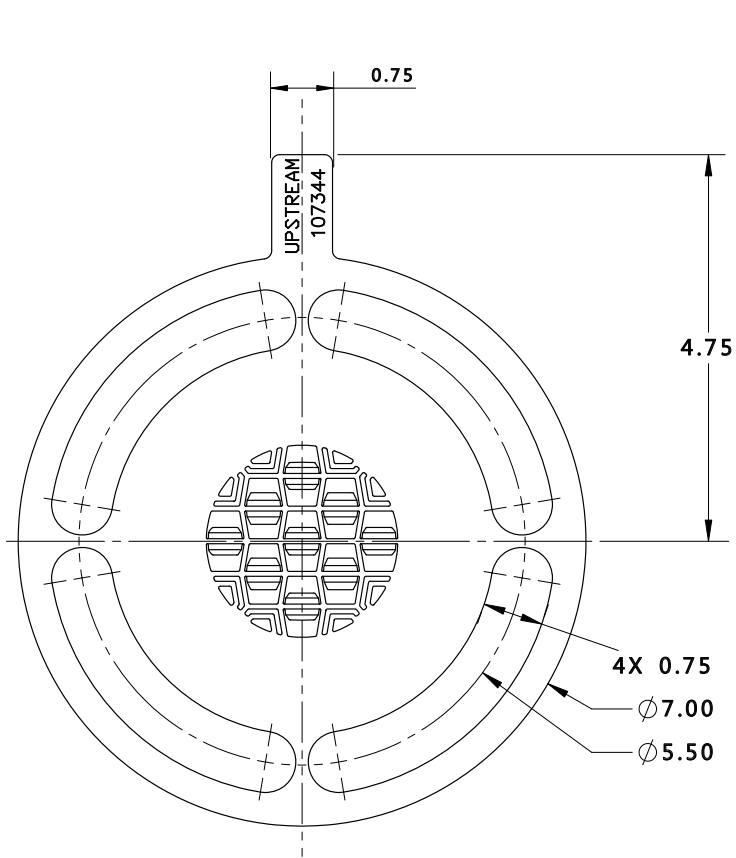


Model FC10 Flow Conditioner Dimensional Drawing

2.5" FC10 Flow Conditioner



Model FC10 Dimensions

Part Number	Size	"X" Inch (mm)	5D Min. Up/Downstream Inch (mm)
107344	2.50"	9 (229)	12.5 (318)



399 Reservation Rd
Marina, CA 93933 USA
(831) 384-4300
www.foxthermal.com