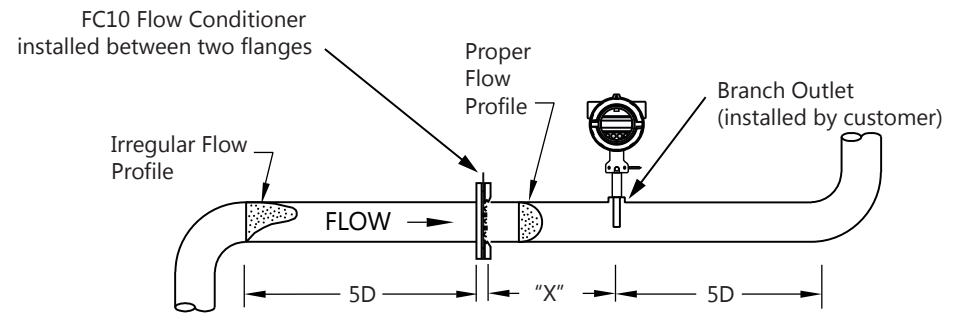
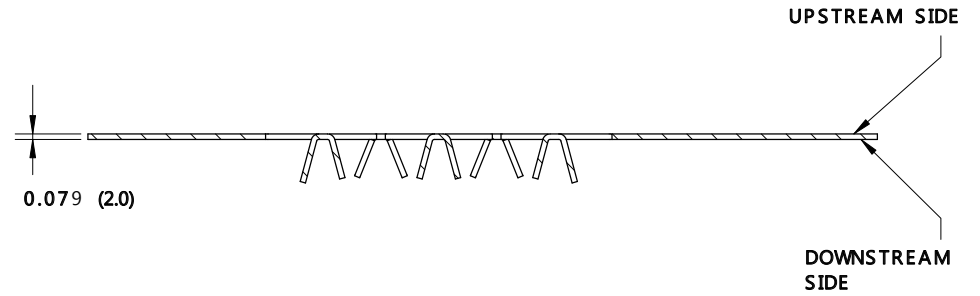
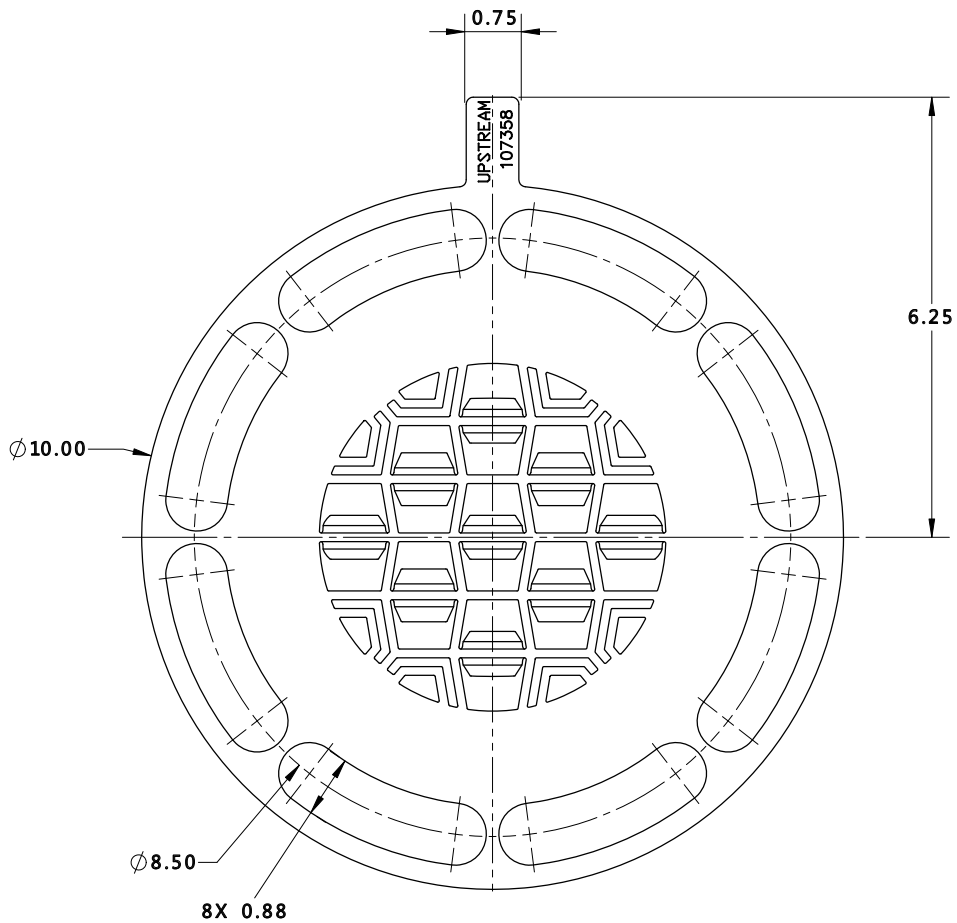


# Model FC10 Flow Conditioner Dimensional Drawing

5.0" FC10 Flow Conditioner



## Model FC10 Dimensions

Part Number	Size	"X" Inch (mm)	5D Min. Up/Downstream Inch (mm)
107358	5.00"	10 (254)	25 (635)

**Fox Thermal**  
Precision Mass Flow Measurement  
An ONICON Brand

399 Reservation Rd  
Marina, CA 93933 USA  
(831) 384-4300  
www.foxthermal.com