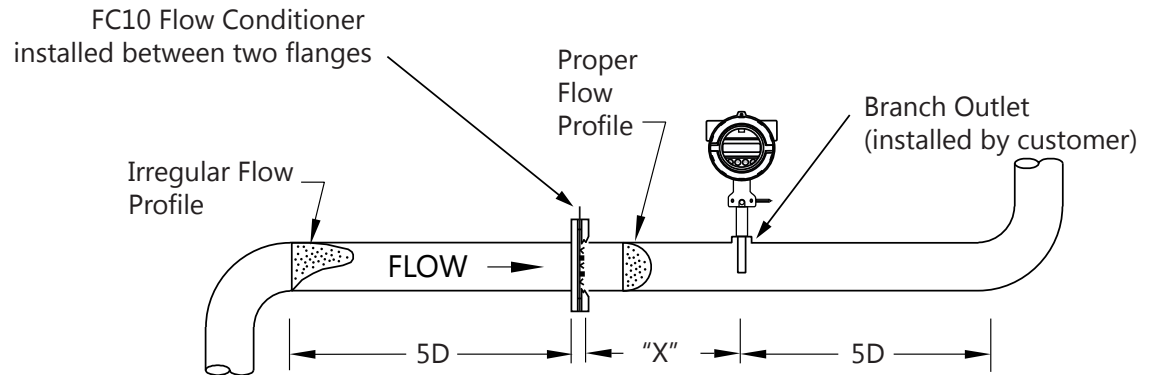
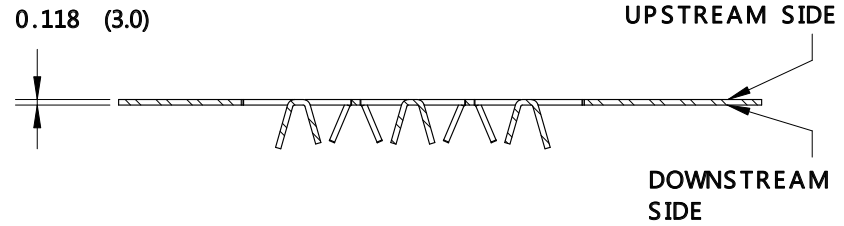
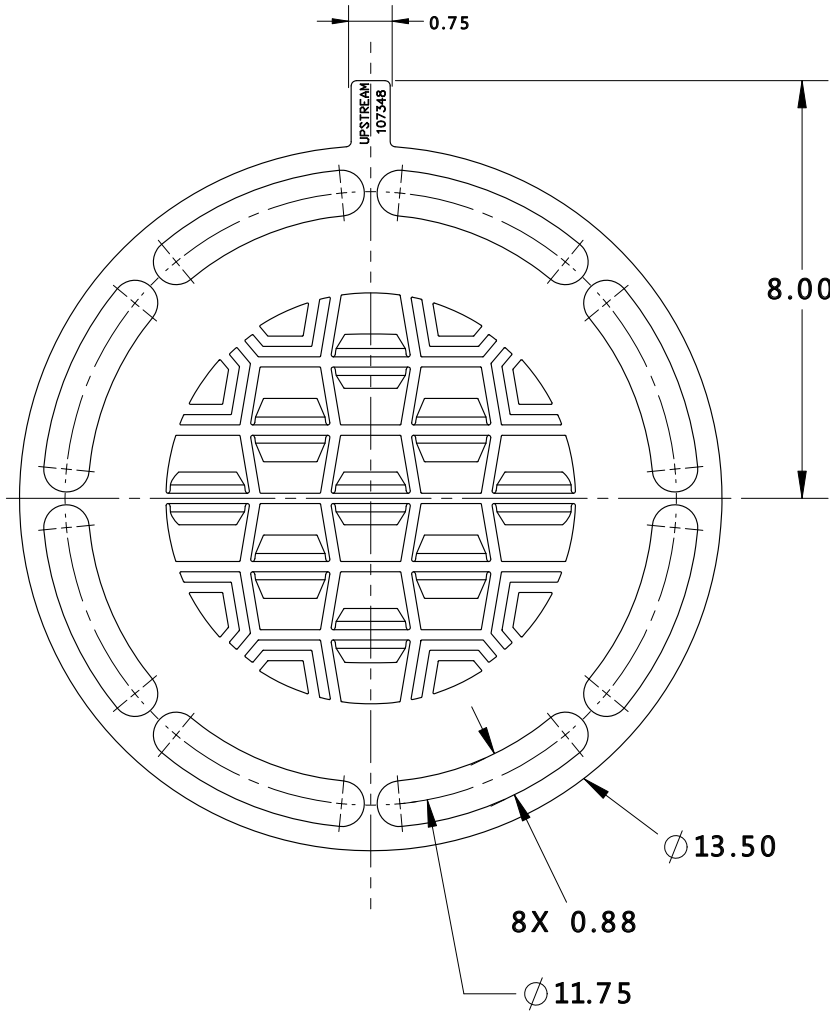


# Model FC10 Flow Conditioner Dimensional Drawing

8.0" FC10 Flow Conditioner



Model FC10 Dimensions

Part Number	Size	"X" Inch (mm)	5D Min. Up/Downstream Inch (mm)
107348	8.00"	16 (406)	40 (1016)



399 Reservation Rd  
Marina, CA 93933 USA  
(831) 384-4300  
www.foxthermal.com