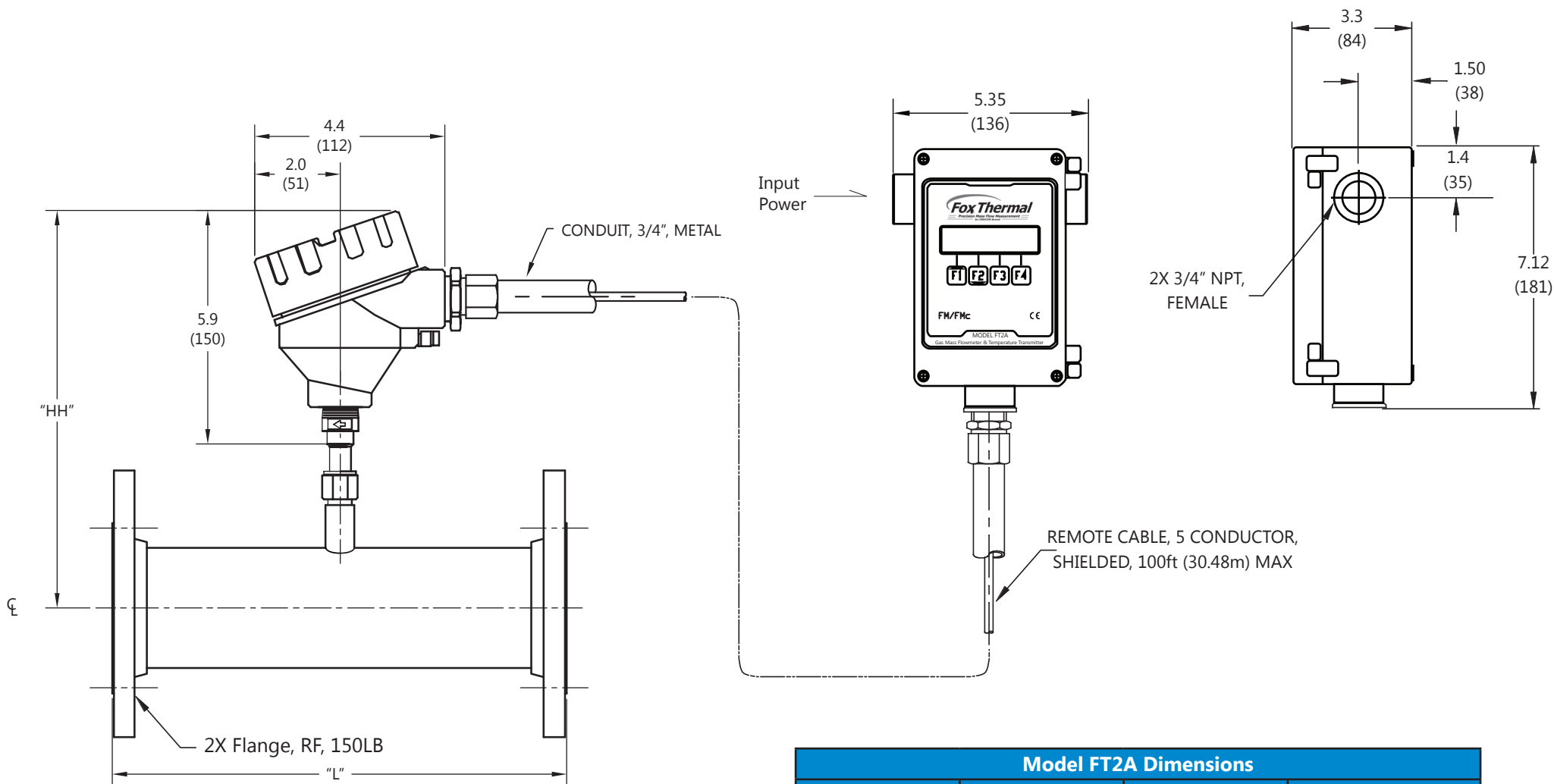


Model FT2A Flowmeter Dimensional Drawing

Remote Electronics, Inline Style, With 150lb Flanges



Model FT2A Dimensions			
Model Code	Body Size	Dimension "L"	Dimension "HH"
05F	0.50"	12"	10.5" (267mm)
075F	0.75"	12"	10.5" (267mm)
10F	1.00"	12"	10.5" (267mm)
125F	1.25"	12"	10.5" (267mm)
15F	1.50"	12"	10.5" (267mm)
20F*	2.00"	12"	10.5" (267mm)
25F*	2.50"	18"	10.6" (269mm)
30F*	3.00"	18"	12.5" (318mm)
40F*	4.00"	18"	12.5" (318mm)
60F*	6.00"	24"	12.5" (318mm)

*available in A106 Grade B Carbon steel pipe + A105 Flanges (20FC, 25FC, 30FC, 40FC, & 60FC)



399 Reservation Rd
 Marina, CA 93933 USA
 (831) 384-4300
 www.foxthermal.com