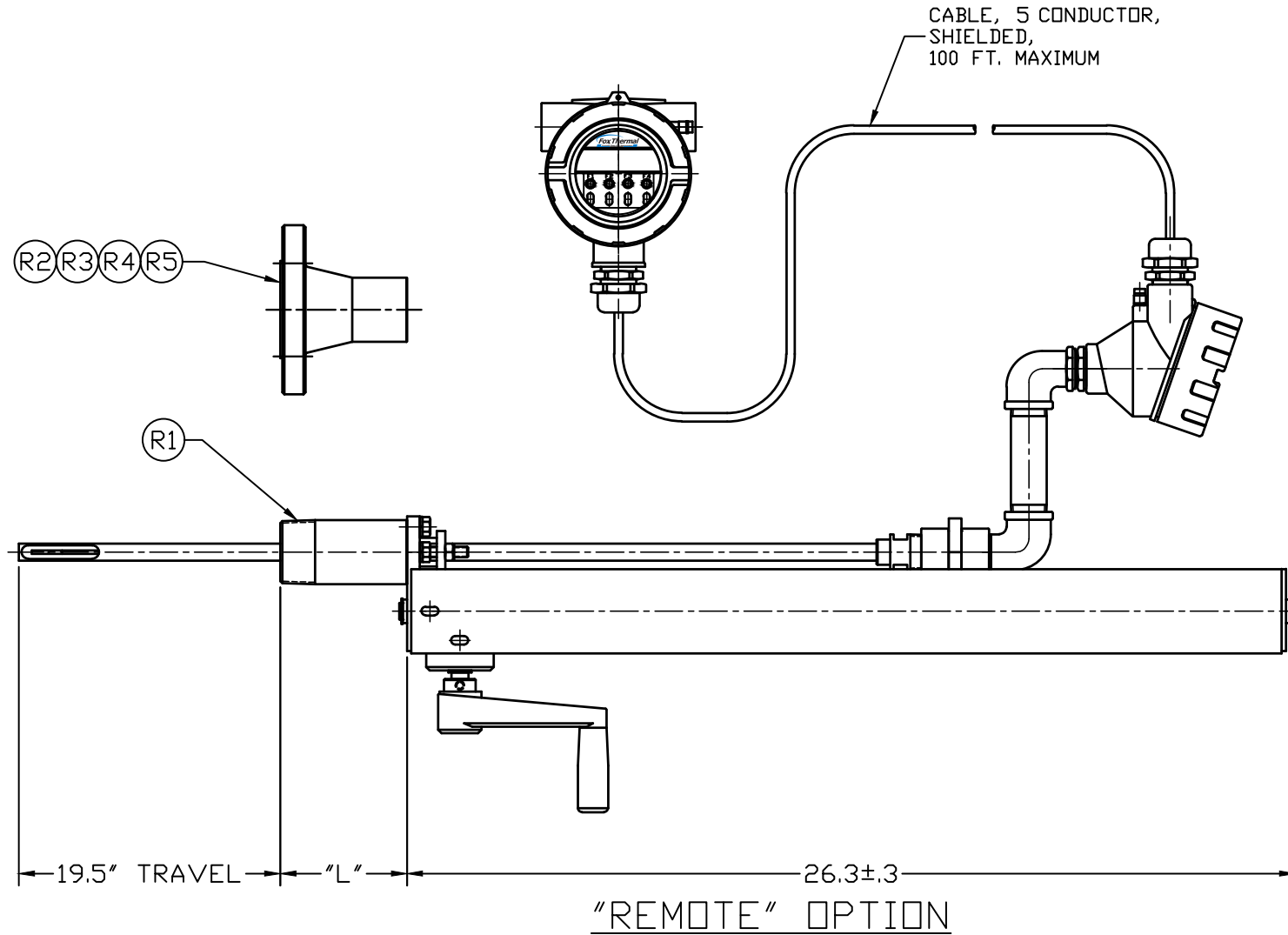


Model FT3 Flow Meter Dimensional Drawing

Remote Electronics, Insertion Style, With Crank Retractor



399 Reservation Rd
Marina, CA 93933 USA
(831) 384-4300
www.foxthermal.com

Model FT3 with Crank Retractor Dimensions		
Model Code	Connection Type	Dimension "L"
R1	Pipe, 1.50" NPT Thread	3.75"
R2	Flange, 1.50", 150 lb, RF	3.75"
R3	Flange, 1.50", 300 lb, RF	4.00"
R4	Flange, 2.00", 150 lb, RF	3.75"
R5	Flange, 2.00", 300 lb, RF	3.75"