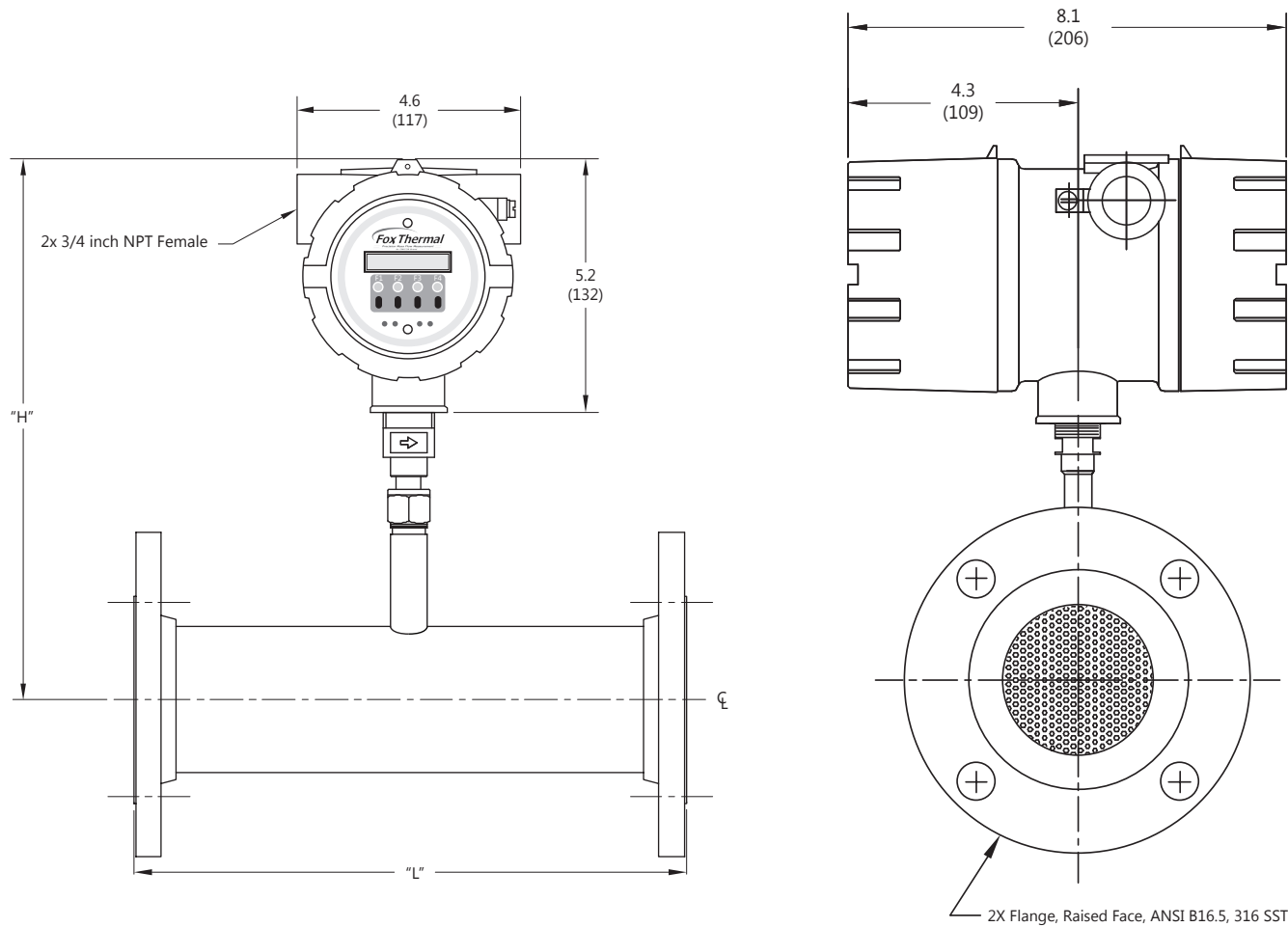


Model FT3 Flowmeter Dimensional Drawing

Local Electronics, Inline Style, With 150lb Flanges



Model FT3 Dimensions			
Model Code	Body Size	Dimension "L"	Dimension "H"
05F	0.50"	12"	10.5" (267mm)
075F	0.75"	12"	10.5" (267mm)
10F	1.00"	12"	10.5" (267mm)
125F	1.25"	12"	10.5" (267mm)
15F	1.50"	12"	10.5" (267mm)
20F*	2.00"	12"	10.5" (267mm)
25F*	2.50"	18"	10.6" (269mm)
30F*	3.00"	18"	12.5" (318mm)
40F*	4.00"	18"	12.5" (318mm)
60F*	6.00"	24"	12.5" (318mm)

*available in A106 Grade B Carbon steel pipe + A105 Flanges (20FC, 25FC, 30FC, 40FC, & 60FC)



399 Reservation Rd
Marina, CA 93933 USA
(831) 384-4300
www.foxthermal.com