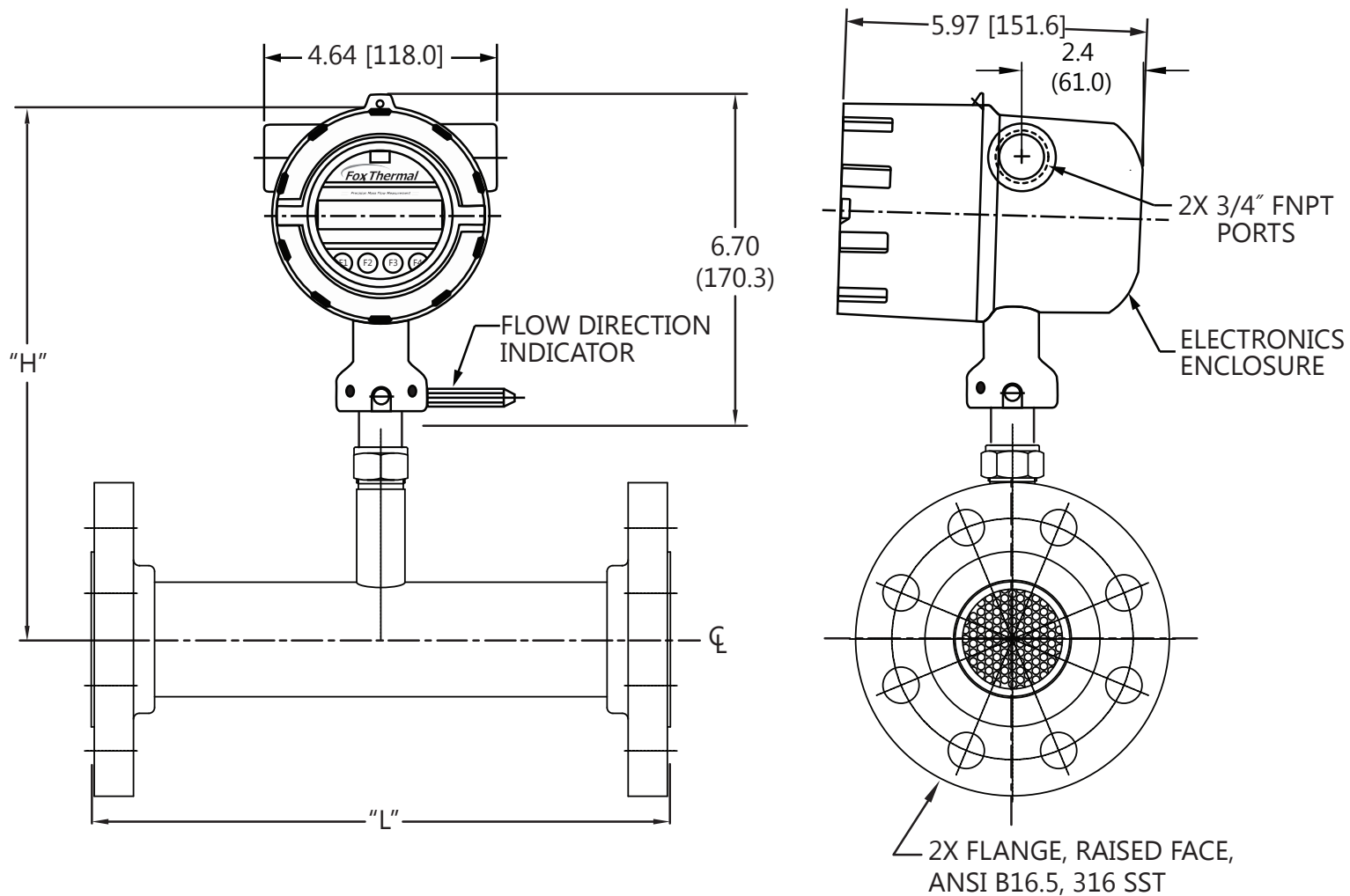


Model FT4A Flowmeter Dimensional Drawing

Local Electronics, Inline Style, With 300lb Flanges



Model FT4A Dimensions			
Model Code	Body Size	Dimension "L"	Dimension "H"
15G*	1.50"	12"	12.7" (322.6mm)
20G**	2.00"	12"	12.7" (322.6mm)
25G**	2.50"	18"	12.7" (322.6mm)
30G**	3.00"	18"	12.7" (322.6mm)
40G**	4.00"	18"	12.7" (322.6mm)
60G**	6.00"	24"	12.7" (322.6mm)

*available in 316 SS only

**available in 316 SS or A106 Grade B Carbon steel pipe + A105 Flanges



399 Reservation Rd
Marina, CA 93933 USA
(831) 384-4300
www.foxthermal.com