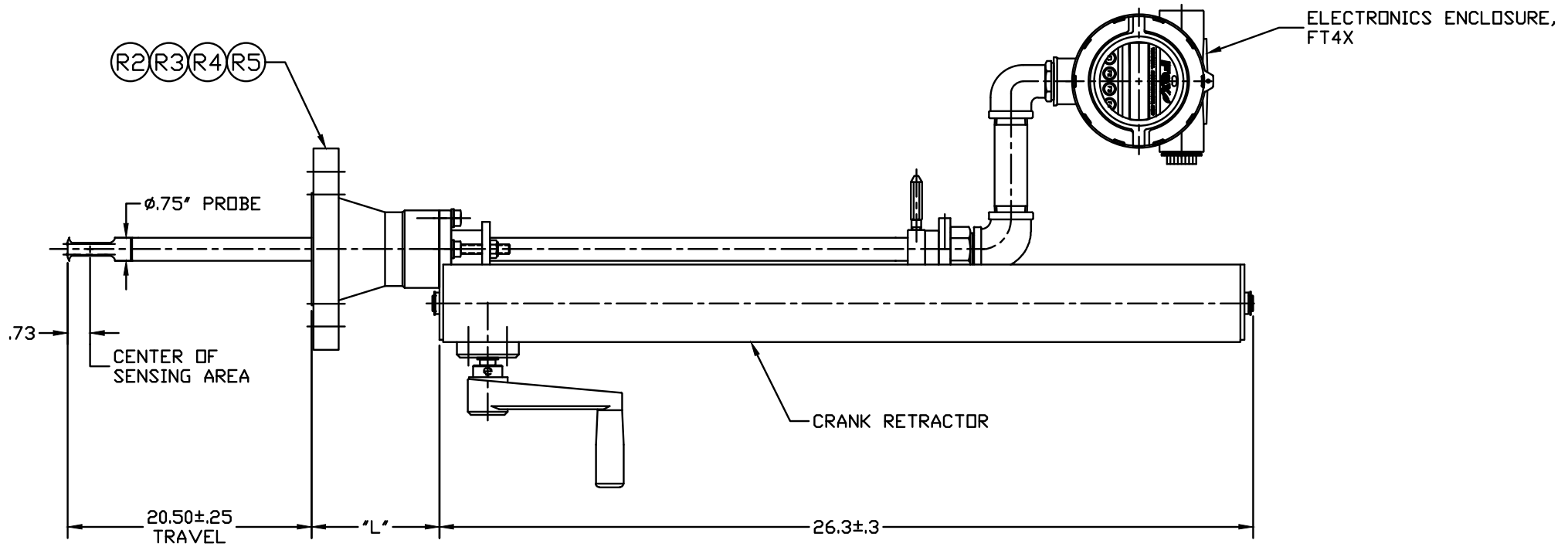


Model FT4X Flow Meter Dimensional Drawing

Local Electronics, Insertion Style, With Crank Retractor



"LOCAL" OPTION



399 Reservation Rd
Marina, CA 93933 USA
(831) 384-4300
www.foxthermal.com

Model FT4X with Crank Retractor Dimensions		
Model Code	Connection Type	Dimension "L"
R2	Flange, 1.50", 150 lb, RF	3.75"
R3	Flange, 1.50", 300 lb, RF	4.00"
R4	Flange, 2.00", 150 lb, RF	3.88"
R5	Flange, 2.00", 300 lb, RF	4.13"