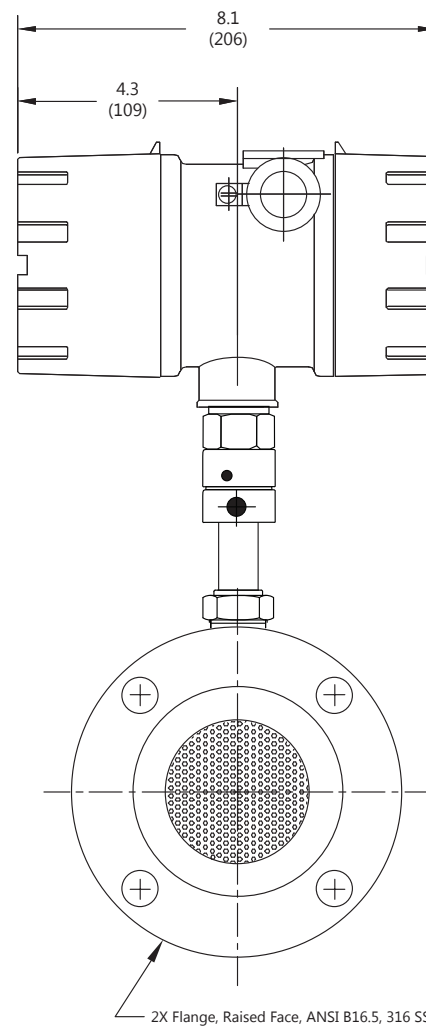
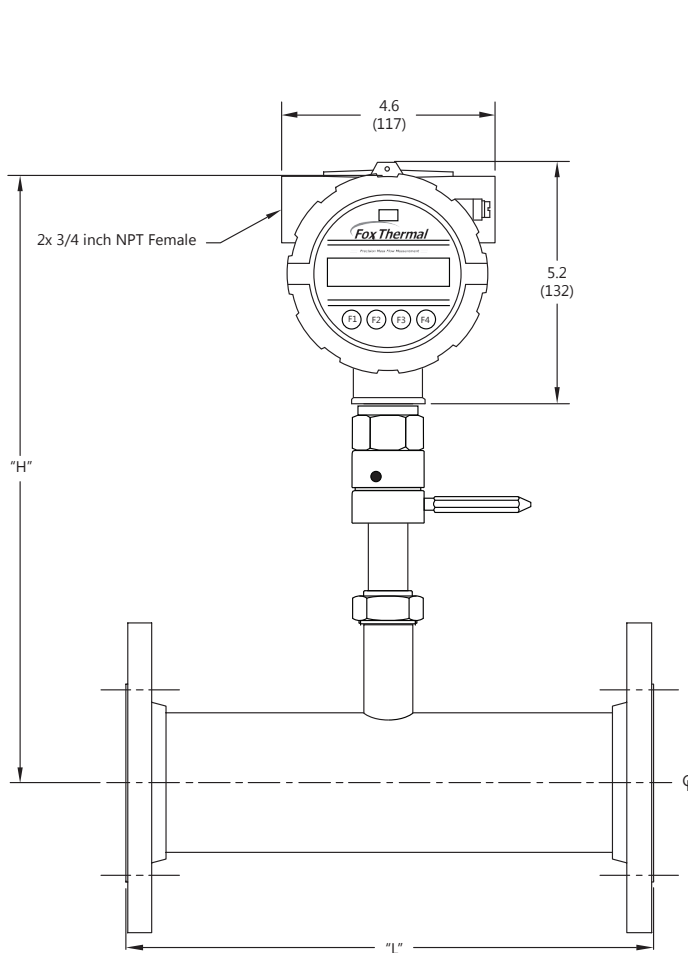


# Model FT4X Flowmeter Dimensional Drawing

Local Electronics, Inline Style, With 150lb Flanges



Model FT4X Dimensions			
Model Code	Body Size	Dimension "L"	Dimension "H"
075F	0.75"	12"	11.9" (302mm)
10F	1.00"	12"	11.9" (302mm)
125F	1.25"	12"	11.9" (302mm)
15F	1.50"	12"	13.9" (353mm)
20F*	2.00"	12"	13.9" (353mm)
25F*	2.50"	18"	13.9" (353mm)
30F*	3.00"	18"	13.9" (353mm)
40F*	4.00"	18"	13.9" (353mm)
60F*	6.00"	24"	13.9" (353mm)

\*available in A106 Grade B Carbon steel pipe + A105 Flanges (20FC, 25FC, 30FC, 40FC & 60FC)



399 Reservation Rd  
Marina, CA 93933 USA  
(831) 384-4300  
www.foxthermal.com