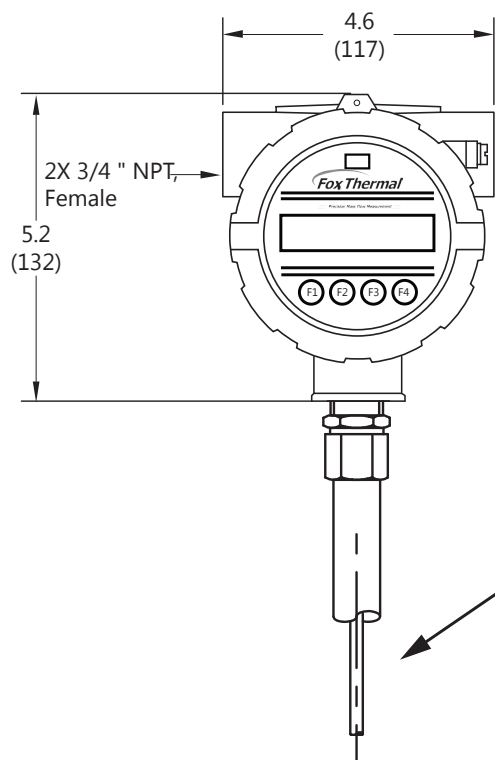
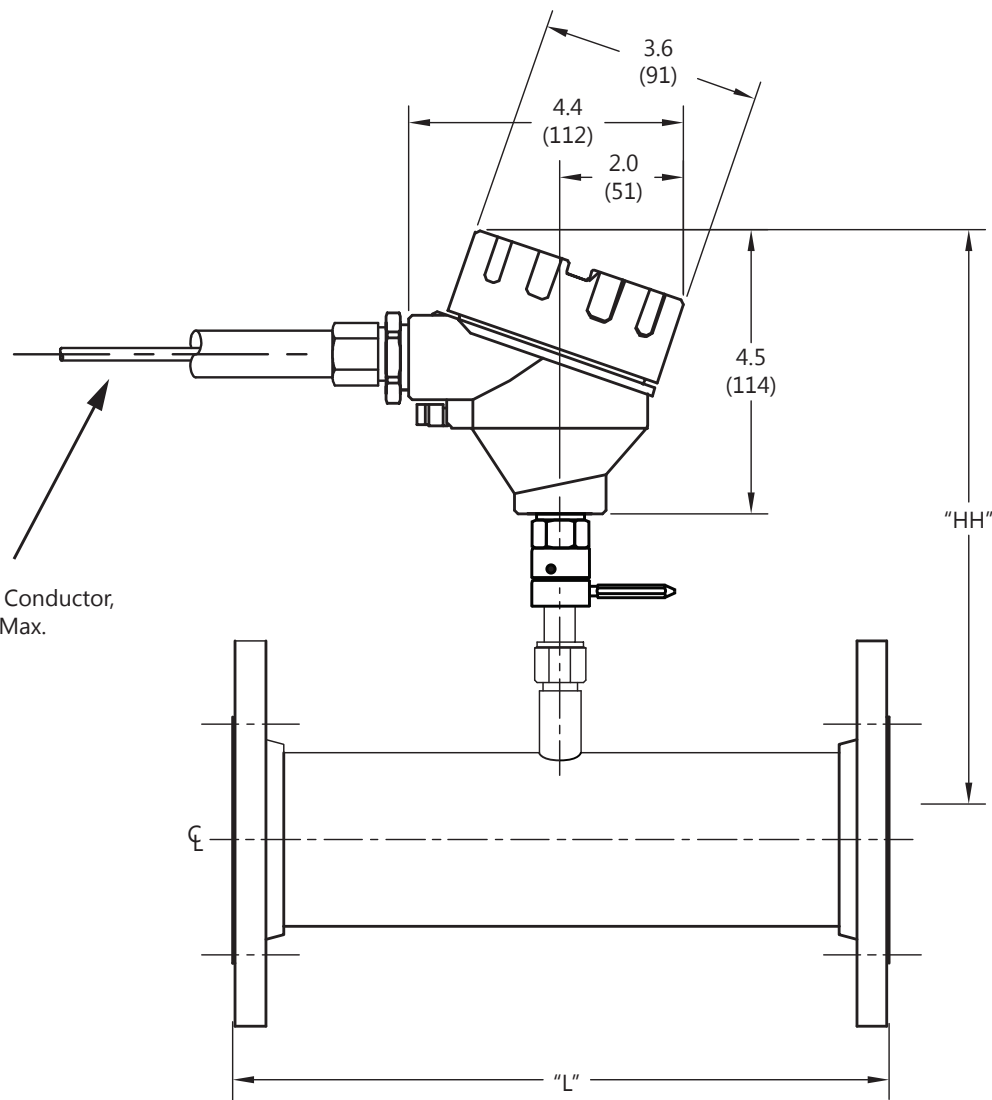


# Model FT4X Flowmeter Dimensional Drawing

Remote Electronics, Inline Style, With 150lb Flanges



Remote Cable, 8 Conductor,  
Shielded, 100FT Max.



Model FT4X Dimensions

Model Code	Body Size	Dimension "L"	Dimension "HH"
075F	0.75"	12"	11.2" (284mm)
10F	1.00"	12"	11.2" (284mm)
125F	1.25"	12"	11.2" (284mm)
15F	1.50"	12"	13.2" (335mm)
20F*	2.00"	12"	13.2" (335mm)
25F*	2.50"	18"	13.2" (335mm)
30F*	3.00"	18"	13.2" (335mm)
40F*	4.00"	18"	13.2" (335mm)
60F*	6.00"	24"	13.2" (335mm)

**Fox Thermal**  
Precision Mass Flow Measurement  
An ONICON Brand

399 Reservation Rd  
Marina, CA 93933 USA  
(831) 384-4300  
www.foxthermal.com

\*available in A106 Grade B Carbon steel pipe + A105 Flanges (20FC, 25FC, 30FC, 40FC, & 60FC)