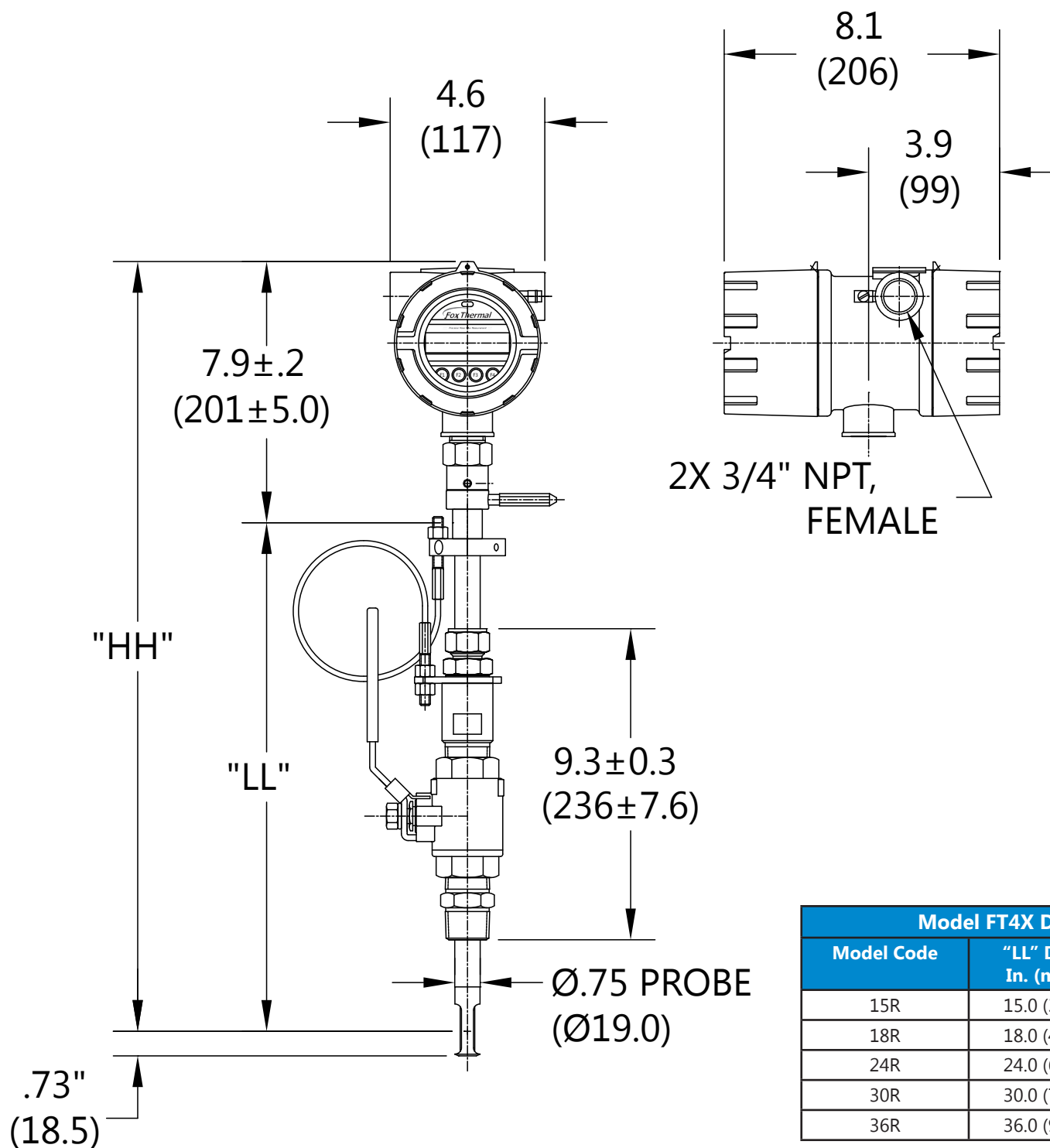


Model FT4X Flowmeter Dimensional Drawing

Local Electronics, Insertion Style, With Retractor



Model FT4X Dimensions		
Model Code	"LL" Dim. In. (mm)	"HH" Dim. In. (mm)
15R	15.0 (381)	22.9" (582)
18R	18.0 (457)	25.9" (658)
24R	24.0 (609)	31.9" (810)
30R	30.0 (762)	37.9" (963)
36R	36.0 (914)	43.9" (1115)



399 Reservation Rd
Marina, CA 93933 USA
(831) 384-4300
www.foxthermal.com