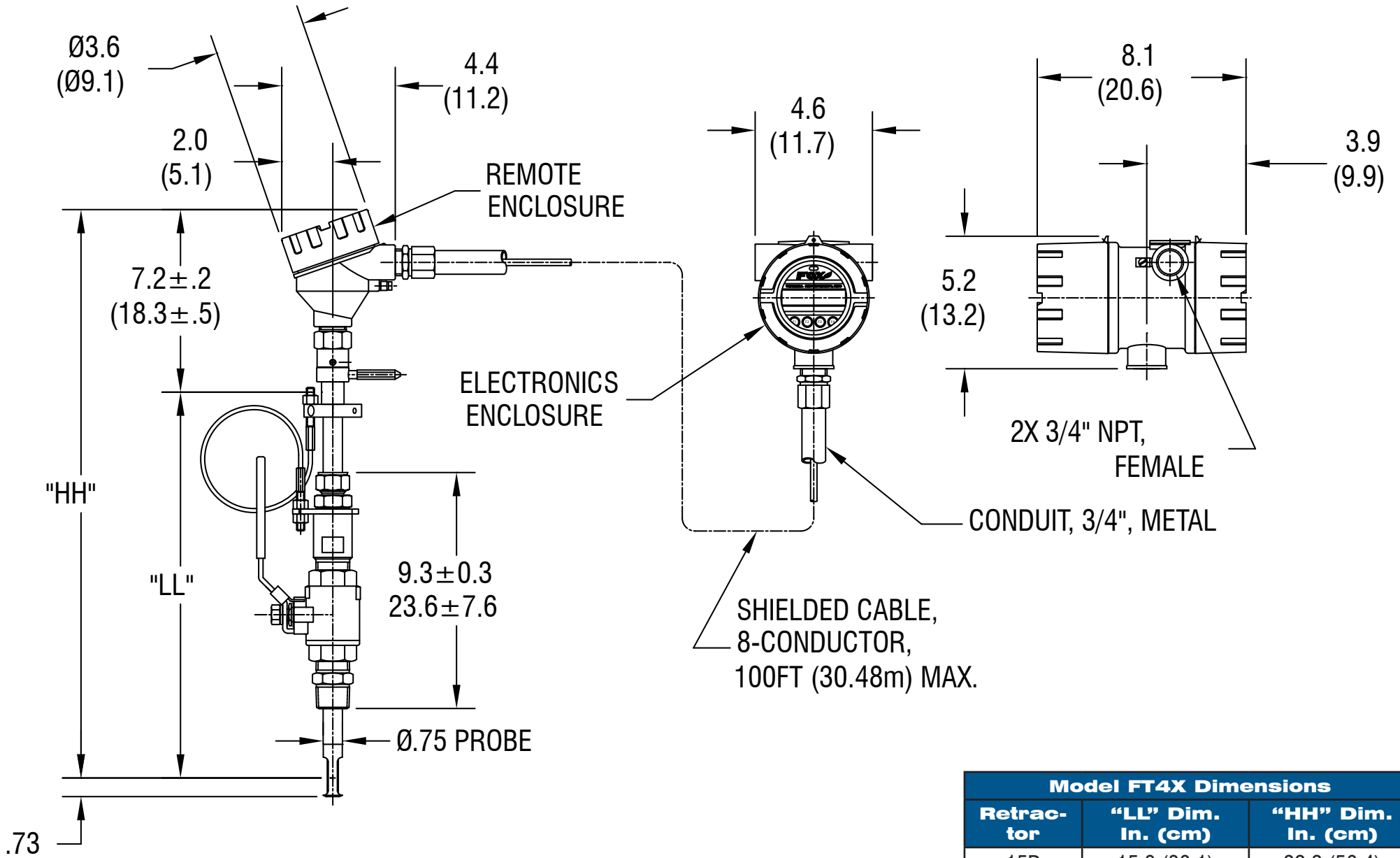


Model FT4X Flowmeter Dimensional Drawing



Model FT4X Dimensions		
Retractor	"LL" Dim. In. (cm)	"HH" Dim. In. (cm)
15R	15.0 (38.1)	22.2 (56.4)
18R	18.0 (45.7)	25.2 (64.0)
24R	24.0 (61.0)	31.2 (79.2)
30R	30.0 (76.2)	37.2 (94.5)
36R	36.0 (91.4)	43.2 (109.7)

Remote insertion style with retractor