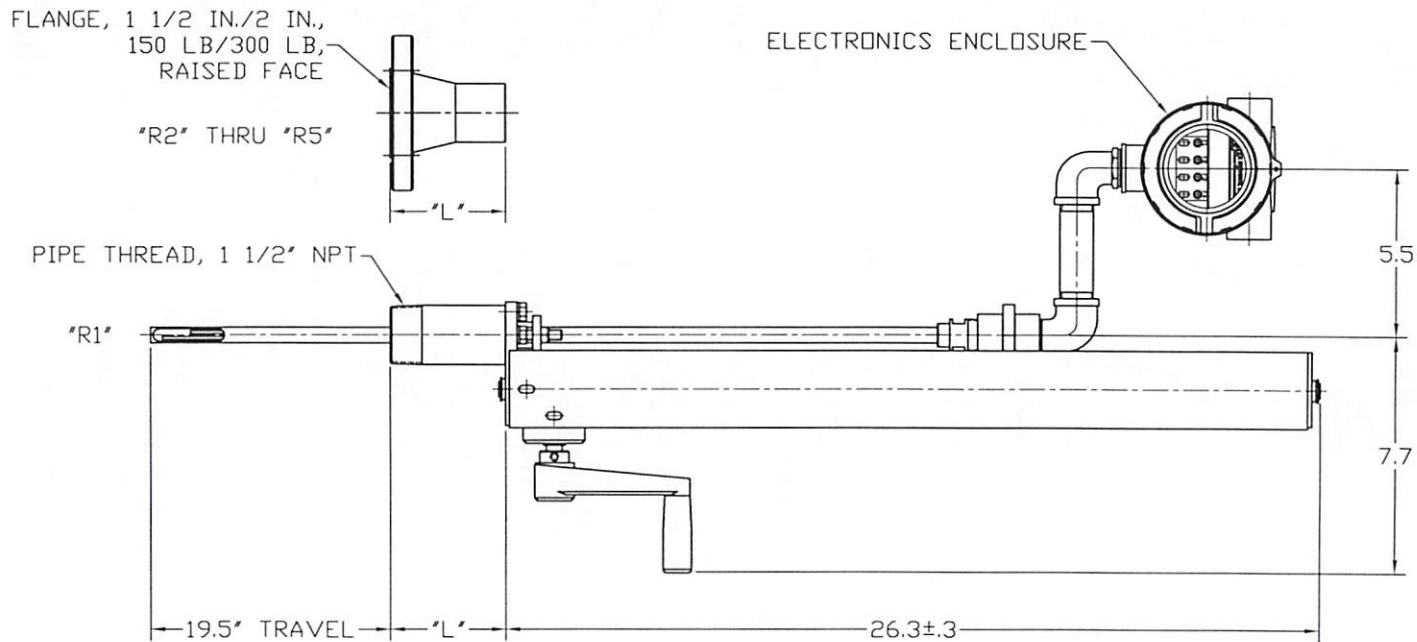


REV.	ECO	DESCRIPTION	DRN	DATE	APPR	DATE
1	--	INITIAL RELEASE	REP	07/14/14	<i>[Signature]</i>	7/14/14

NOTES:

1. DIMENSIONS ARE IN INCHES U.S.



DIMENSION TABLE		
CODE	CONNECTION TYPE	DIMENSION "L"
"R1"	PIPE, 1 1/2" NPT THREAD	3.75
"R2"	FLANGE, 1 1/2 IN, 150 LB, RF.	3.75
"R3"	FLANGE, 1 1/2 IN, 300 LB, RF.	4.00
"R4"	FLANGE, 2 IN, 150LB, RF.	3.75
"R5"	FLANGE, 2 IN, 300 LB, RF.	3.75

THIS DOCUMENT AND THE INFORMATION CONTAINED HEREIN IS THE PROPERTY OF FOX THERMAL INSTRUMENTS, INC. IT CONTAINS PROPRIETARY INFORMATION; DO NOT CIRCULATE, COPY, OR DIVULGE TO OTHER PARTIES WITHOUT WRITTEN CONSENT OF FOX THERMAL INSTRUMENTS, INC.	TOLERANCES UNLESS OTHERWISE SPECIFIED:	FOX THERMAL INSTRUMENTS INC CRANK RETRACTOR, R1, R2, R3, R4 & R5 VERSIONS
	.XXX ±.010	
	.XX ±.02	
	.X ±.1	
	FINISH	
	SCALE: 1/2	
D	DWG. NO. SK1599	1 REV.