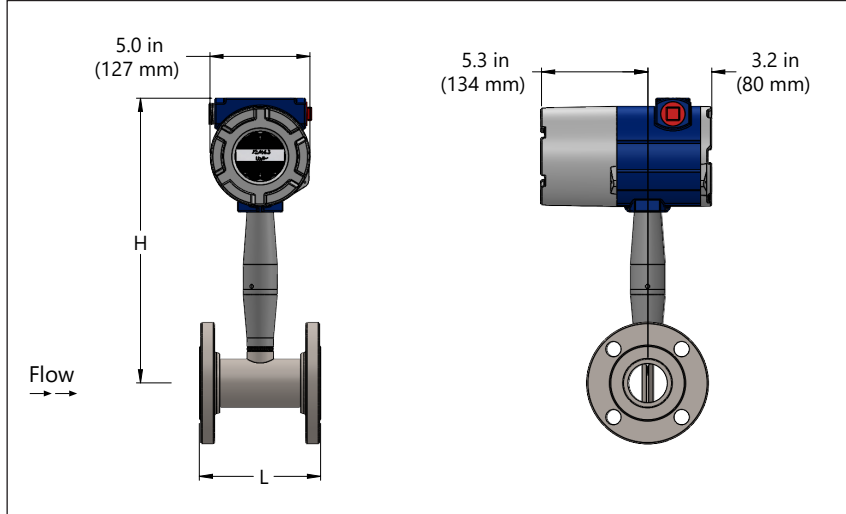


VF4-R Inline Flanged, Reduced Bore



VortiFox VF4-R Inline Reducing Sizes and Weight

Flow Meter Nominal Size	Sizes			Weight			
	L	L (ANSI 900)	H	ANSI 150 (PN 16)	ANSI 300 (PN 40)	ANSI 600 (PN 63)	ANSI 900 (PN 160)
3/4 inch (20 mm) x 1/2 inch (15 mm)	7.9 in (200 mm)	8.4 in (213 mm)	13.5 in (343 mm)	13.0 lb (5.9 kg)	14.6 lb (6.6 kg)	15.6 lb (7.1 kg)	20.6 lb (9.3 kg)
1 inch (25 mm) x 1/2 inch (15 mm)	7.9 in (200 mm)	8.4 in (213 mm)	13.5 in (343 mm)	13.0 lb (5.9 kg)	16.3 lb (7.4 kg)	16.4 lb (7.5 kg)	22.7 lb (10.3 kg)
1.5 inch (40 mm) x 1 inch (25 mm)	7.9 in (200 mm)	11.1 in (282 mm)	13.8 in (351 mm)	13.4 lb (6.1 kg)	23.3 lb (10.6 kg)	24.6 lb (11.2 kg)	36.3 lb (16.5 kg)
2 inch (50 mm) x 1.5 inch (40 mm)	7.9 in (200 mm)	12.5 in (318 mm)	14.0 in (356 mm)	16.3 lb (7.4 kg)	26.8 lb (12.2 kg)	33.2 lb (15.1 kg)	58.1 lb (26.4 kg)
3 inch (80 mm) x 2 inch (50 mm)	7.9 in (200 mm)	14.1 in (357 mm)	14.6 in (371 mm)	21.2 lb (9.6 kg)	41.0 lb (18.6 kg)	56.1 lb (25.5 kg)	73.7 lb (33.4 kg)
4 inch (100 mm) x 3 inch (80 mm)	9.84 in (250 mm)	15.3 in (389 mm)	15.1 in (384 mm)	33.0 lb (15.0 kg)	66.8 lb (30.3 kg)	96.0 lb (43.6 kg)	116.1 lb (52.7 kg)
6 inch (150 mm) x 4 inch (100 mm)	11.81 in (300 mm)	17.8 in (452 mm)	16.2 in (411 mm)	45.8 lb (20.8 kg)	106.3 lb (48.2 kg)	194.3 lb (136 kg)	220.5 lb (100.0 kg)
8 inch (200 mm) x 6 inch (150 mm)	11.81 in (300 mm)	20.1 in (511 mm)	17.2 in (437 mm)	68.3 lb (31.0 kg)	168.4 lb (76.5 kg)	299.0 lb (88.2 kg)	365.7 lb (165.9 kg)
10 inch (250 mm) x 8 inch (200 mm)	15.0 in (381 mm)	23.3 in (592 mm)	18.2 in (462 mm)	188.3 lb (85.5 kg)	262.3 lb (119.1 kg)	462.3 lb (209.9 kg)	562.8 lb (255.3 kg)
12 inch (300 mm) x 10 inch (250 mm)	17.7 in (450 mm)	29.7 in (754 mm)	19.2 in (488 mm)	298.6 lb (135.6 kg)	402.6 lb (182.8 kg)	606.6 lb (275.4 kg)	792.3 lb (359.4 kg)

Add 11lb (5kg) for remote electronics.